

Tornado

ROTARY DISTRIBUTOR VALVE-JOINTS

Rotary Distributor Valve - Joints (RDVs) are Rotary joints with an integral rotary valve. RDVs find application in Transfer machining systems using Rotary indexing tables, where a number of clamping / locating mechanism are to be operated by hydraulics.

The RDVs continuously provide hydraulic oil under pressure to the actuators in all the work stations on the Indexing table. The valve operates in such a way that the actuators of the station which comes to the loading / unloading position will automatically get connected to a suitable Directional Control Valve through the RDV enabling the operator to manually unclamp, remove the finished job, then load the new job and clamp. It also ensures that clamping pressure is continuously provided to all the other actuators independent of the operator control. This is an added safety feature to ensure that the jobs under machining is not unclamped inadvertently.

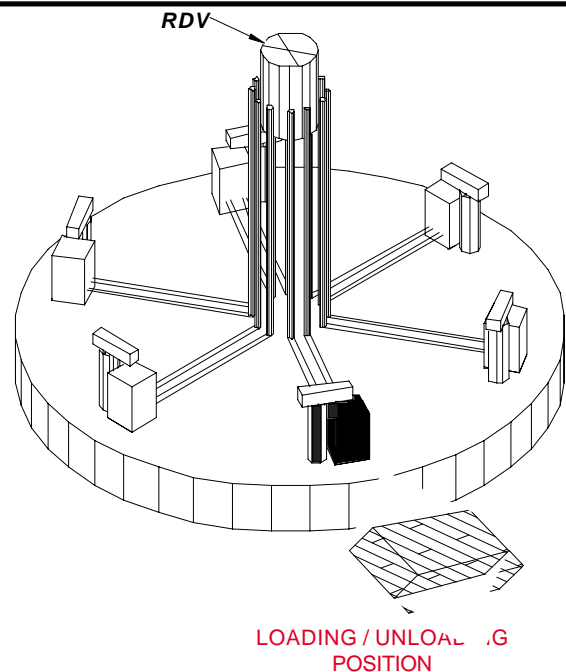
Tornado RDVs are rated for a maximum operating pressure of 400 Kg / Cm², and 24 lpm flow, The Standard models are available for 5, 6 and 8 station applications, for both single acting and double acting cylinders. Other combinations can be supplied against specific requirements.

Few points to be noted regarding the application of RDVs are:

1. The loading and unloading should take place from a specific fixed position of the operator only.
2. The fixtures are located equispaced on the indexing table.
3. Use of an accumulator is recommended to guard against internal leakage and power failures



ROTARY DISTRIBUTOR VALVE



APPLICATION SCHEMATIC

Manufactured by:

FAR Hydraulics

#9, Udupa Gardens, S.M. Road, Jalahalli West, Bangalore - 560 015. Karnataka, India.

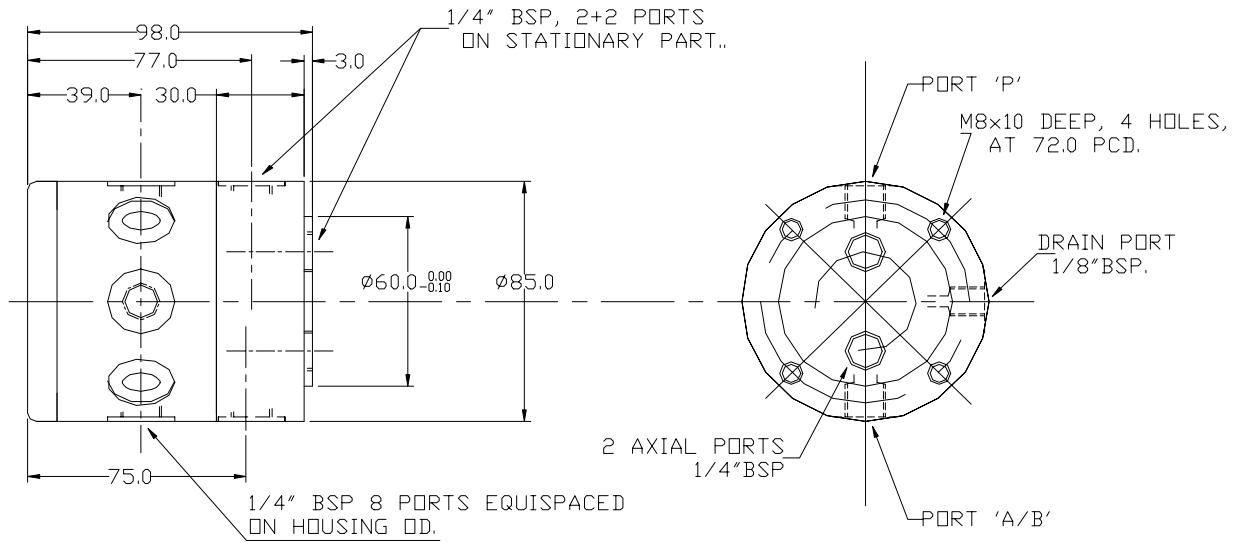
Ph: (080) 56697729 Telefax : (080) 28396831, website: www.tornadofluidpower.com

e-mail : info@tornadofluidpower.com

ROTARY DISTRIBUTOR STANDARD MODELS

NO. OF STATIONS	PART NO.	
	SINGLE ACTING	/ DOUBLE ACTING
5	RDV - 35	RDV - 55
6	RDV - 36	RDV - 56
8	RDV - 38	RDV - 58

RDV - 3X For Single Acting Cylinders



RDV - 5X For Double Acting Cylinders.

